

Peggy collecting heads

Marjorie working the fields

- Ample free parking for cars and coaches
- Toilet Facilities
- Coffee Shop – Serving Snacks, Main Meals and Cream Teas
- Full and Easy Access for the Less Able
- Accompanied tours available for 20 people or more with optional talks on gardening topics (a fee is payable for these events)
- Schools education pack available



Reg and Horse-drawn plough

The Spalding flower bulb museum is free to enter, run by volunteers and run as a non profit making organisation. If you have enjoyed your visit a small cash contribution to help on the upkeep is always very much appreciated.

How to find us...



Between the villages of Surfleet and Pinchbeck on the B1356

In addition to the Flower Bulb Museum, Birchgrove also offers a large Garden Centre and Nursery where you can purchase a number of plants, gifts and of course flower bulbs (in season). There is also a Coffee Shop, Pet & Aquatic Centre and an Equestrian store.



Spalding Flower Bulb Museum
at **Birchgrove Garden Centre,**
Surfleet Road, Pinchbeck,
Spalding, Lincolnshire. PE11 3XY

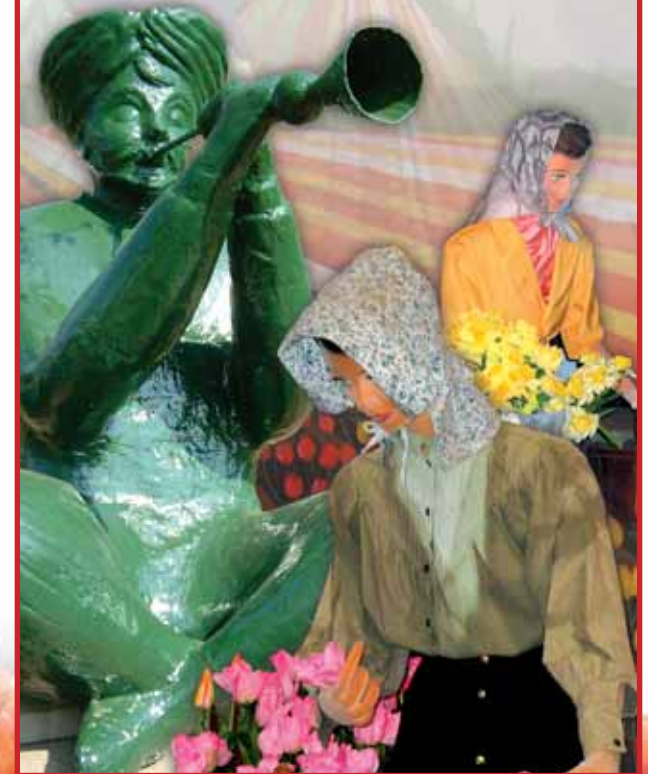
01775 680490

W: www.birchgrovegc.co.uk
E: sales@birchgrovegc.co.uk

Supported by



SPALDING FLOWER BULB MUSEUM



Open 10am to 4pm
7 days a week

from 1st April until 31st October

Winter Opening by request

The History of Lincolnshire's Bulb Industry Brought to Life...

Inspired by the memories of the hardworking people from the South Lincolnshire Fens the Spalding Flower Bulb Museum was opened in 1995 to preserve the history of the industry for future generations.

Having spanned over 120 years this industry has played a vital part in the local economy and been the source of employment for many thousands of people.

The fifty seat Gardeners Theatre shows a fifteen minute film presentation which, along with a series of story boards and static exhibits, including two vintage tractors and a lifesize model of a Shire Horse, together with reconstructed original buildings containing the actual equipment used, all help to recreate the history of an industry unique to this area.

Other outdoor exhibits include a 1904 flower forcing glasshouse, a Blacksmith's shop, a bulb grading shed and the original Spalding cattle market auction hall with its' unique iron girder roof which was purchased by Birchgrove and moved from its' original site in the centre of Spalding and reconstructed in our grounds.

Built up over a number of years the collection contains horse carts, ploughs, bulb graders, weighing scales, sack winders, a gravity fed boiler in a sunken boiler house and hovels full of equipment. These pieces of machinery, tools and implements have been meticulously collected or kindly donated by local people and businesses to help preserve and explain the remarkable story of the flower bulb industry in South Lincolnshire.



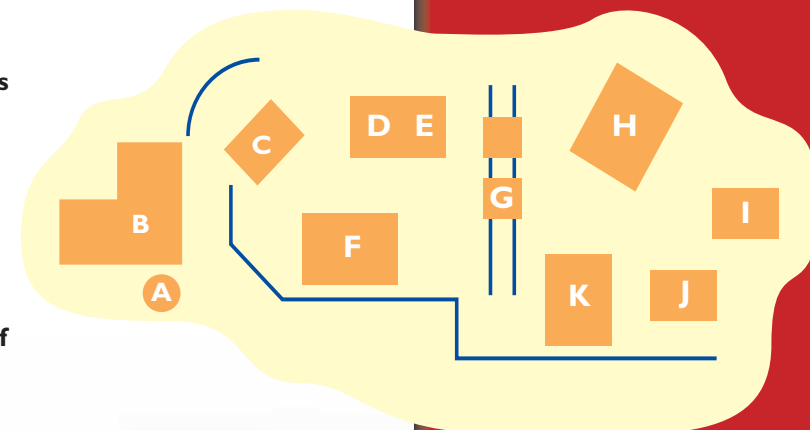
Horace in the grading shed



Mary in the forcing greenhouse



Geoff the Blacksmith



- A Tulipan the Tulip Man
- B The Gardeners Theatre and Exhibition Hall
- C Farm Implements from years gone by
- D Farm Carts
- E The Blacksmith's Shop
- F Daffodil Sterilisation Plant
- G The Railway Lines and Bogies used to bring in the boxes of bulbs to the forcing house
- H Bulb Cleaning and Grading Shed
- I A Robin Hood Boiler Circa 1930's used on PA Moerman Nurseries
- J The Gravity Fed Sunken Boiler House Circa 1920's
- K The Flower Forcing House Circa 1904 Removed from Kitchens Nurseries, Queens Road, Spalding in 1995

